



Pictures show sample configurations, real product may vary.



COMPUTER UNIT

Processor	Intel® Core™, Intel® Celeron™, Pentium™
Graphics	Intel® UHD Graphics
Chipset	Intel® R680E
Memory	Up to 32 GB DDR4 ECC
Boot drive	Up to 1 TB M.2 NVMe SSD
LAN	1 x Intel® I225LM PCIe 1 x Intel I219LM PHY 1 x Intel® I210AT PCIe
Operating system	Windows® 10 IoT Enterprise
Expansion Slots	1 x PCIe x16
Front I/O	4 x USB 3.2 (Gen 1) 4 x USB 2.0 3 x RJ-45 1 x Display Port 1 x Display Port/HDMI AC-in Power button
Rear I/O	Dust filter
Cooling	Active

POWER

Power supply	24 V DC
Power consumption	4 A

SYSTEM

Dimensions (WxDxH)	230 x 190 x 88 mm
Material	Steel, RAL 9005 powder coated
Weight	Approx. 3 kg
Mounting	DIN rail, wall mount

ENVIRONMENTAL CONDITIONS

	Storage	Operating
Temperature	-20°C to +60°C	0°C to 35°C
Humidity	10% to 95% ¹	10% to 80% ¹

¹ non-condensing

CERTIFICATIONS

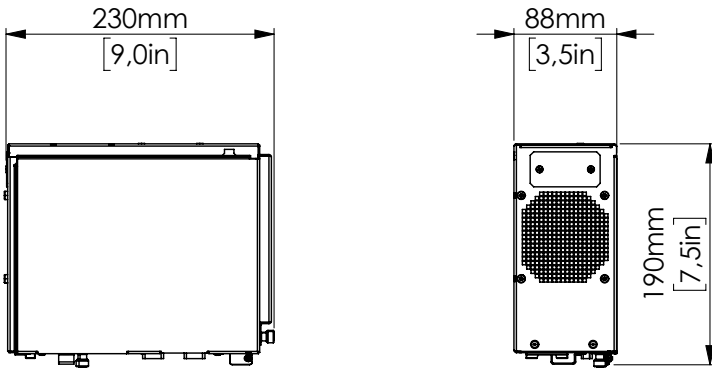
CE

INTENDED USE

The AKHET IPC is intended for use as a control system in engineering industry, for automation, visualization or communication. The device is developed for a working environment that meets protection class IP20.

DIMENSIONS

Pictures show sample configurations, real product may vary.



MOUNTING

Note: It is important to ensure that the dowels and screws used as well as the condition of the wall are suitable for a load of 3 times the system weight!

