



Pictures show sample configurations, real product may vary.



COMPUTER UNIT

Processor	AMD or Intel® (TDP 125W)
Graphics	Optional NVIDIA T1000, RTX 4060 LP
Memory	DDR4, DDR5 max. 32 GB
Data drive	Opt. SATA/NVME
Mainboard Formfactor	miTX, µATX
Extension slots	max 4x PCIe +1 additional Slot
Rear I/O	Dust filter
Cooling	Active



POWER

PSU	230V AC
Consumption	9 A

SYSTEM

Dimensions (WxDxH)	316 x 316 x 133 mm
Material	Steel, RAL 9005 powder coated
Weight	Appr. 6 kg
Mounting	Desktop, wall mount

ENVIRONMENTAL CONDITIONS

	Storage	Operation
Temperature	-20°C to +60°C	0°C to 35°C
Humidity	10% to 95% ¹	10% bis 80% ¹

¹not-condensing

CERTIFICATIONS

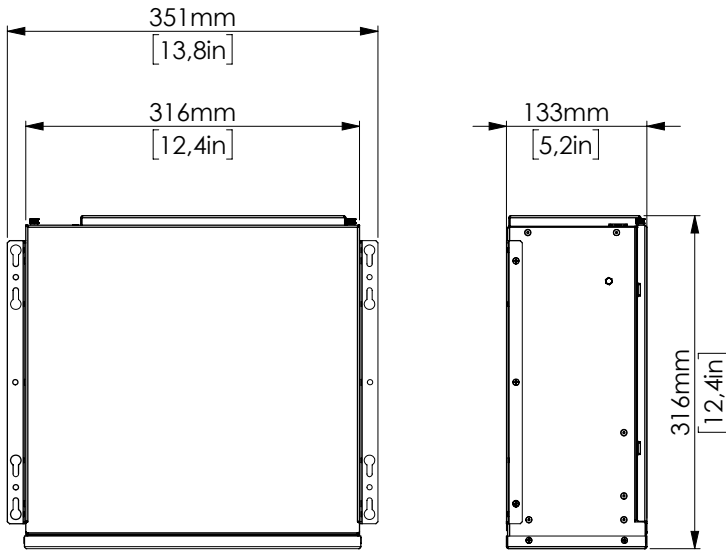
CE

INTENDED USE

The AKHET IPC is intended for use as a control system in engineering industry, for automation, visualization or communication. The device is developed for a working environment that meets protection class IP20.

DIMENSIONS

Pictures show sample configurations, real product may vary.



MOUNTING

Note: It is important to ensure that the dowels and screws used as well as the condition of the wall are suitable for a load of 3 times the system weight!

