



HIGHLIGHTS

- Compact table kiosk
- Very slim screen depth (17.4 mm/0.69 in)
- Service-friendly maintenance access via top and side flap
- Flexible design with many configuration options

4010067882 polytouch® FLEX 21.5"

Overview

DISPLAY

| | |
|----------------------|---|
| Front | 0.7 mm/0.03 in strengthened glass |
| Surface treatment | Glare |
| Surface hardness | 7H |
| Display size | 21.5" |
| Aspect ratio | 16:9 |
| Display type | Active matrix TFT LCD with LED backlighting, A+ Grade |
| Resolution | 1920 x 1080 (Full HD) |
| Colors | 16.7 million |
| Brightness | 250 cd/m ² |
| Viewing angle | Horizontal (left/right): 170° /vertical (up/down): 170° |
| Contrast ratio | 1000:1 |
| Backlight lamp life | typ. 30,000 hours to half brightness |
| Touch technology | PCAP, OGS |
| Touch driver support | Windows® 7 – Windows® 10, Android |

4010067882 polytouch® FLEX 21.5"

Overview

COMPUTER UNIT

| | |
|-----------------------|--|
| Mainboard form factor | ITX |
| Processor | Intel® Core™ i3-6100TE Skylake 2C/4T 2.7 Ghz 4 MB |
| Chipset | Intel® Q170 Chipset |
| Graphics | Intel® HD530 Graphics |
| Memory | min. 4 GB DDR4 |
| Storage | min. 128 GB mSATA SSD |
| LAN | 2 x 1GbE LAN |
| WiFi | Antenna (optional) |
| OS | Windows® 7/8/10 (32/64 Bit), Android 7.1/9.0 (KioWare ready) |

POWER

| | |
|-------------------|-------------------------------|
| Power input | C13, 100 – 240 V AC, 50/60 Hz |
| Power consumption | Average 50 W, peak 120 W |

ENVIRONMENTAL CONDITIONS

| | Storage | Operating |
|-------------|-------------------------|--------------------------|
| Temperature | 5°C–60°C | 10°C–35°C |
| Humidity | 5%–95% (non-condensing) | 20%–90% (non-condensing) |

CUSTOMIZATION

| | |
|----------------|---|
| Scanner/Imager | Zebra MS4717, Datalogic Magellan 1500i (others on request) |
| Payment ready | Verifone P400, Ingenico Lane 3000/5000, PAX S300 (others on request) |
| Printer | 80 mm thermal printer e.g. Custom P3, Custom Modus3, Epson TM-T88V, Epson TM-L90 (others on request) |
| Accessibility | ADA compliant keypad with headphone plug |

SYSTEM

| | |
|--------------------|--|
| Material | Steel, powder coated |
| Dimensions (WxDxH) | 405.2 x 318.3 x 578.5 mm/15.95 x 12.53 x 22.78 in |
| Weight | 19 kg |
| Mounting | Desk mount, wallmount, pedestal |
| Colour | RAL 9010; RAL 7016; customizable with any RAL colour |

CERTIFICATIONS

CE, UL*
*pending



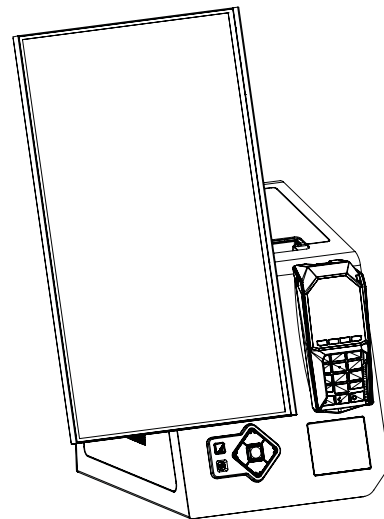
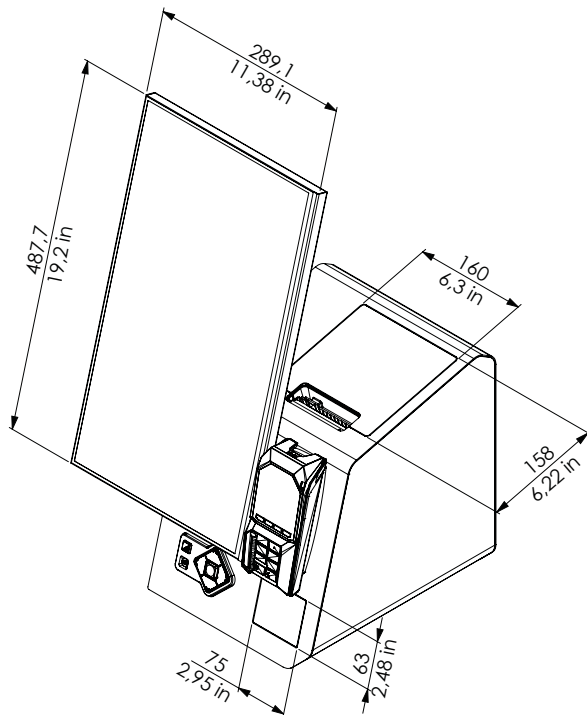
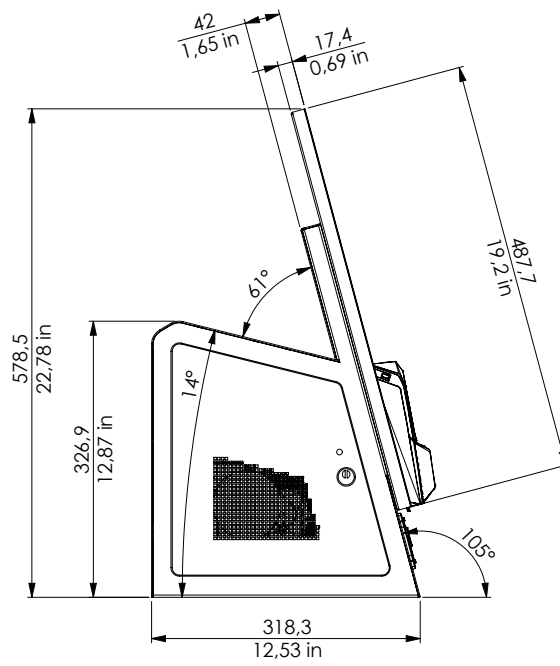
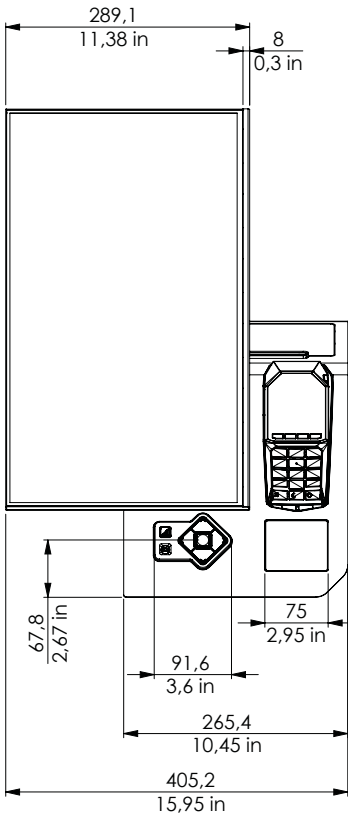
4010067882 polytouch® FLEX 21.5"



4010067882_ds_polytouch_21+5_Flex_EN · 03.09.20 · specification is subject to change

4010067882 polytouch® FLEX 21.5"

Dimensions



4010067882 polytouch® FLEX 21.5"

Design variant „Lower position screen“

