

# polytouch® curve 32" SIM card kiosk



## HIGHLIGHTS

- Integrated PC-Box  
Intel® Core™ i5-6500TE (Skylake)
- Minimal footprint, perfect for retail
- Integrated document scanner,  
thermal printer, SIM card dispenser
- Ruggedized Full HD display  
(1920 x 1080)
- Integrated Android cube
- Proprietary face analysis technology

## OVERVIEW

### DISPLAY

Screen size	82 cm (32")
Resolution	1920 x 1080 (Full HD)
Brightness	500 cd/m <sup>2</sup>
Contrast	3000 : 1
Viewing angle	178° h/v
Bonding	Optical bonding
Coating	Glare
Cover glass	Thermally Strengthened
Display orientation	Portrait
Connector	HDMI, DVI, VGA, LVDS

*Pictures show sample configurations, real product may vary.*

# polytouch® curve 32" SIM card kiosk

## OVERVIEW

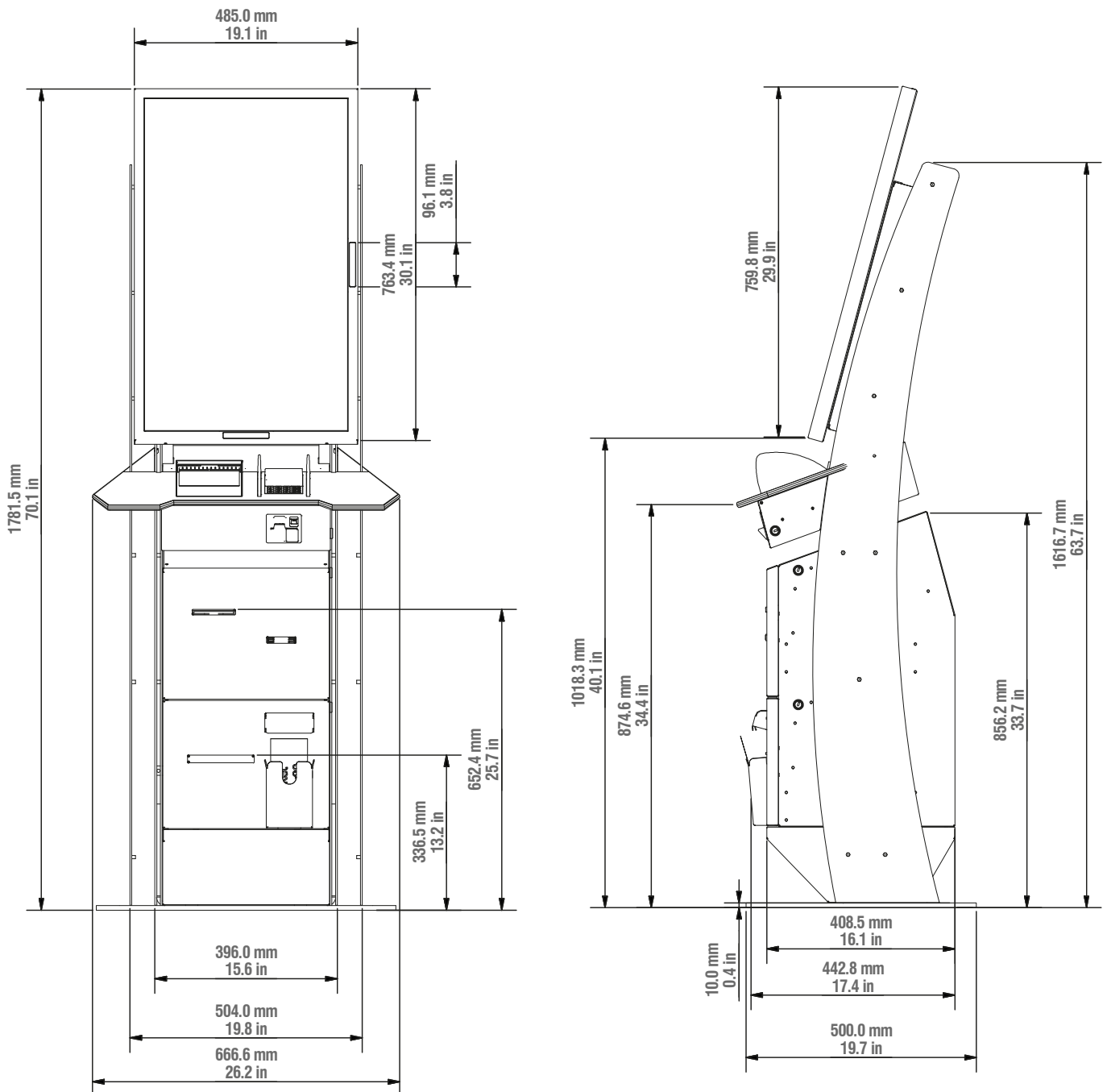
<b>TOUCHSENSOR</b>	Touch technology	Projected Capacitive Touch (PCT)		
	Glass-sensor-structure	Glass-Glass (GG)		
	Front	3 mm strengthened glass		
	Simultaneous touches	10 touches		
	Latency	< 10 ms		
	Input Method	Finger or capacitive stylus		
<b>CHASSIS</b>	Material	Stainless steel, powder coated		
	Dimensions (H x W x D)	791 x 486 x 78 mm/31.14 x 19.13 x 3.07 inch		
	Weight	Display only .....	approx. 22 kg	
		PC Box .....	approx. 5 kg	
	Mounting	Pedestal		
<b>COMPUTER UNIT (PC-BOX)</b>	Frame colours/material	RAL 9010 (white)		
	Processor	Intel® Core™ i5-6500TE Skylake 4C/4T 2.3 Ghz 6 MB		
	Chipset	Intel® Q170 Chipset		
	Graphics	Intel® HD530 Graphics		
	Memory	8 GB DDR4		
	Storage	256 GB mSATA SSD		
	LAN	2 x 1GbE LAN		
	OS	Microsoft® Windows® 10 IoT Enterprise 2019		
	Interfaces	2 x USB 2.0		
		4 x USB 3.0		
		2 x LAN		
2 x COM				
1 x ATX-Button				
<b>POWER (INCL. PC-BOX)</b>	Power supply	Internal, max. 350 W, active cooling		
	Input voltage	100-240 V AC, 50-60 Hz		
<b>PEDESTAL</b>	Material	Steel, powdercoated		
	Dimensions (H x W x D)	1730 x 780 x 500 mm/68.11 x 30.71 x 19.69 inch (upper position)		
		1650 x 780 x 500 mm/64.96 x 30.71 x 19.69 inch (lower position)		
		1450 x 485 x 275 mm/57.09 x 19.09 x 10.83 inch (Wallmount)		
	Weight pedestal	TBD		
	Weight pedestal + display	TBD		
	Mounting	Stand-alone		
	Colour	RAL 9010 (white)		
	Inlay colour	RAL 9005 (black)		
Display angle	20°			
<b>PERIPHERALS</b>	Printer	80 mm/3.15 inch thermal printer	Nippon Primex Boca Lemur-X Zebra ZD420	
		Scanner	Passport scanner	Deskto Penta Cube
		Payment module		Feig cVEND
	Card dispenser		Mutek F35v2	
	Camera		Intel® RealSense D415	
<b>CERTIFICATIONS</b>	CE			

ds\_pt32\_curve\_SIM\_kiosk\_EN · 11.05.21 · specification is subject to change

*Pictures show sample configurations, real product may vary.*

## polytouch<sup>®</sup> curve 32" SIM card kiosk

### Dimensions



ds\_pt32\_curve\_SIM\_kiosk\_EN · 11.05.21 · specification is subject to change

*Pictures show sample configurations, real product may vary.*