

polytouch® passport 32"



HIGHLIGHTS

- Space-saving Kiosk System
- Wall-mount
- Pedestal for either one unit or also two units back-to-back
- Integrated PC Box Intel® Core™ i3 / i5 / i7 (10th Generation Cometlake)
- Optionally integrated imager, thermal printer, PDQ-terminal

OVERVIEW

CHASSIS

Material	Steel, powder coated
Dimensions (W x D x H)	490 x 290 x 1400 mm / 19.3 x 11.4 x 55.1 inch (one unit wall-mount) 490 x 460 x 2000 mm / 19.3 x 18.1 x 78.7 inch (one units incl. pedestal, height adjustable) 490 x 560 x 2000 mm / 19.3 x 22.1 x 78.7 inch (two units back-to-back incl. pedestal, height adjustable)
Mounting	Wall-mount, pedestal for one or back-to-back two units
Weight	Approx. 50 kg (one unit wall-mount) Approx. 90 kg (one units incl. pedestal) Approx. 140 kg (two units back-to-back incl. pedestal)

DISPLAY

Size	32" (82 cm)
Resolution	Full HD (1920 x 1080)
Brightness	500 cd/m ²
Contrast	3000:1
View angle	178° h/v

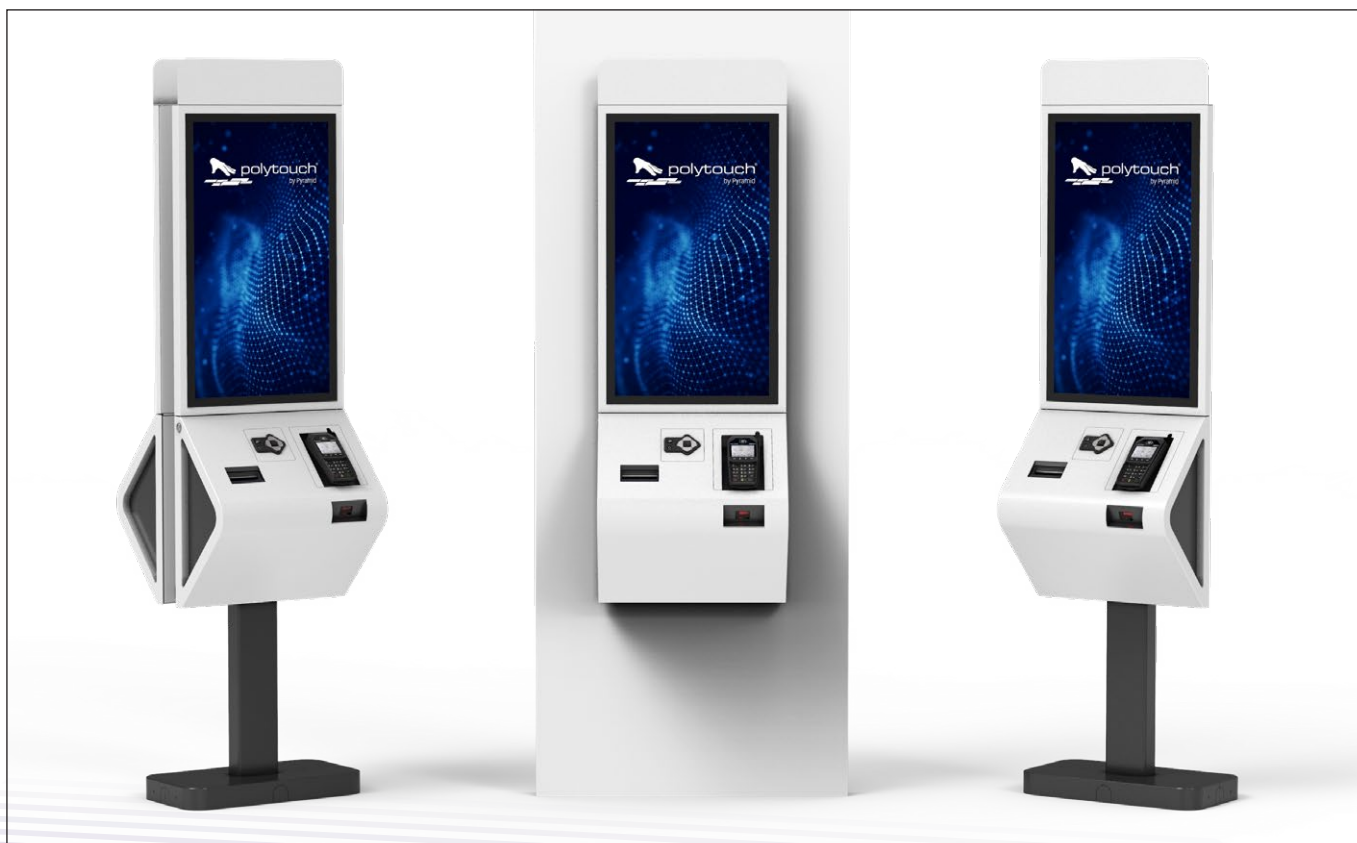
Pictures show sample configurations, real product may vary.

1 / 4

polytouch® passport 32"

OVERVIEW

TOUCHSCREEN	Technology	Projected Capacitive Touch (10 touches)
	Coating	Anti-Glare/Anti-Fingerprint Air or optical bonding
COMPUTER UNIT (PC-BOX)	Processor	Intel® 10 th Gen (Cometlake-S) Core™ Processors Celeron / Pentium / i3 / i5 / i7
	Chipset	H420E / Q470
	Memory	min. 8 GB Dual Channel DDR4 (max. 64 GB)
	Storage	1 x M.2 (Key M, 2242 / 2260 / 2280) with PCIe x2 and SATA3 for SSD
	Network	LAN1: Intel® I225LM with 10/100/1000/2500 Mbps LAN2: Intel® I219V with 10/100/1000 Mbps
	LTA	Industrial components available min. 5 years
OPTIONAL COMPONENTS	Printer	80 mm/3.2 inch thermal printer (60 mm optional) 80 mm/3.2 inch roll diameter (150 mm optional) Max. 250 mm /s print speed
	Scanner/Imager	1D/2D OEM Barcode QR-Code Imager
	QPD/EFT/Payment	Integration option for several models available
CUSTOMIZATION	<ul style="list-style-type: none"> · Free choice of colour for powder-coating (except for pedestal and back wall: black Standard) · Individual 4C+ white logo print on top bezel 	
CERTIFICATIONS	CE, other certifications (e.g. CCC, UL, EAC) on behalf of	



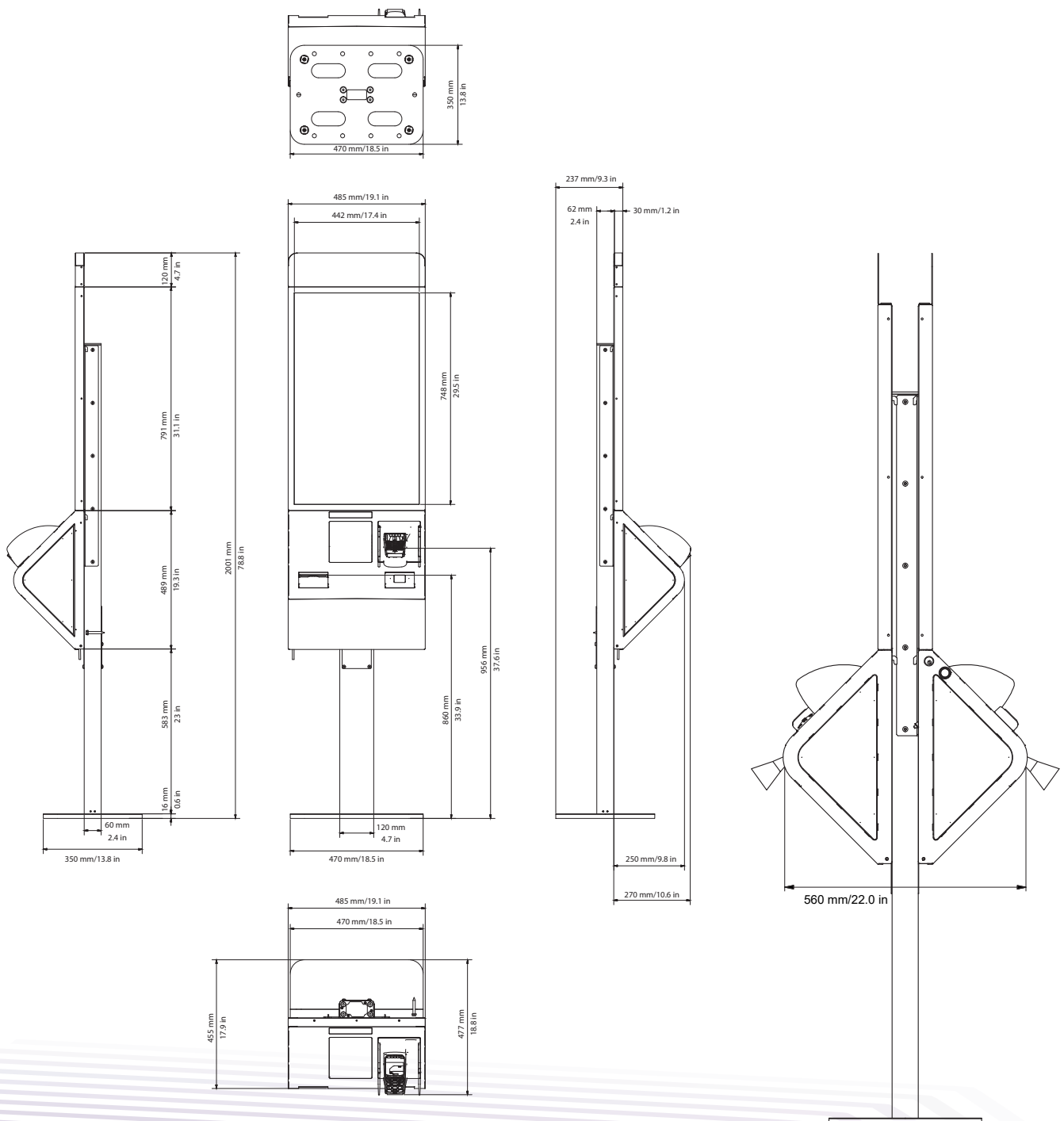
polytouch® passport 32" Twin, Wallmount, Single (left to right)

Pictures show sample configurations, real product may vary.

polytouch[®] passport 32"

Dimensions

Pedestal for either one unit or also two units back-to-back

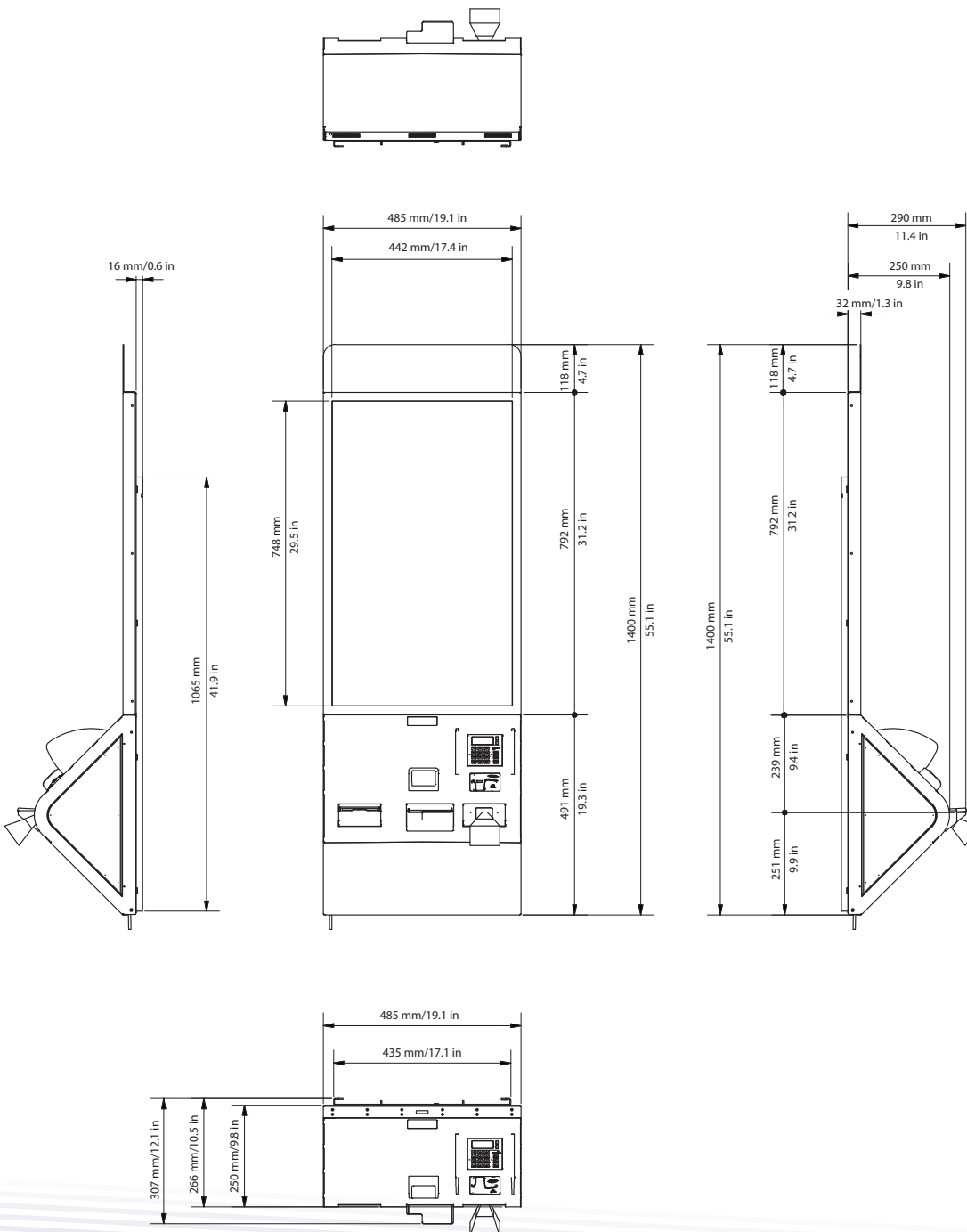


Pictures show sample configurations, real product may vary.

polytouch[®] passport 32"

Dimensions

Wall-mount



Pictures show sample configurations, real product may vary.