

# 4010067882 polytouch® Flex 21.5"



## HIGHLIGHTS

- Compact table kiosk
- Very slim screen depth (17.4 mm/0.69 in)
- Service-friendly maintenance access via top and side flap
- Flexible design with many configuration options

## OVERVIEW

### DISPLAY

Front	0.7 mm/0.03 in strengthened glass
Surface treatment	Glare
Surface hardness	7H
Display size	21.5"
Aspect ratio	16:9
Display type	Active matrix TFT LCD with LED backlighting, A+ Grade
Resolution	1920 x 1080 (Full HD)
Colors	16.7 million
Brightness	250 cd/m <sup>2</sup>
Viewing angle	Horizontal (left/right): 170° /vertical (up/down): 170°
Contrast ratio	1000:1
Backlight lamp life	typ. 30,000 hours to half brightness
Touch technology	PCAP, OGS
Touch driver support	Windows® 8 – Windows® 10, Android

*Pictures show sample configurations, real product may vary.*

1/5

# 4010067882 polytouch® Flex 21.5"

## OVERVIEW

### COMPUTER UNIT

Mainboard form factor	ITX
Processor	Intel® Core™ i3-10100TE Cometlake 4C/8T 2.3 Ghz, 6 MB Smart Cache
Chipset	Intel® H420E Chipset
Graphics	Intel® UHD Graphics 630
Memory	min. 4 GB DDR4
Storage	min. 128 GB mSATA SSD
LAN	2 x 1GbE LAN
WiFi	802.11 a/b/g/n 2.4/5 Ghz with antenna (optional)
OS	Windows® 8 / 10 (32/64 Bit), Android 7.1/9.0 (KioWare ready)

### POWER

Power input	C13, 100 – 240 V AC, 50/60 Hz
Power consumption	Average 50 W, peak 120 W

### ENVIRONMENTAL CONDITIONS

	Storage	Operating
Temperature	5°C–60°C	10°C–35°C
Humidity	5%–95% (non-condensing)	20%–90% (non-condensing)

### CUSTOMIZATION

Scanner/Imager	Zebra MS4717, Datalogic Magellan 1500i (others on request)
Payment ready	Verifone P400, Ingenico Lane 3000/5000, PAX S300 (others on request)
Printer	80 mm thermal printer e.g. Custom P3, Custom Modus3, Epson TM-T88V, Epson TM-L90 (others on request)
Accessibility	ADA compliant keypad with headphone plug

### SYSTEM

Material	Steel, powder coated
Dimensions (W x D x H)	405.2 x 318.3 x 578.5 mm/15.95 x 12.53 x 22.78 in
Weight	19 kg
Mounting	Desk mount, wallmount, pedestal
Colour	RAL 9010; RAL 7016; customizable with any RAL colour

### CERTIFICATIONS

CE, UL*	
*pending	



*Pictures show sample configurations, real product may vary.*

4010067882

# polytouch® Flex 21.5"

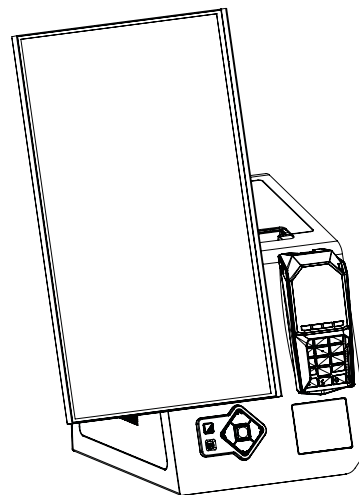
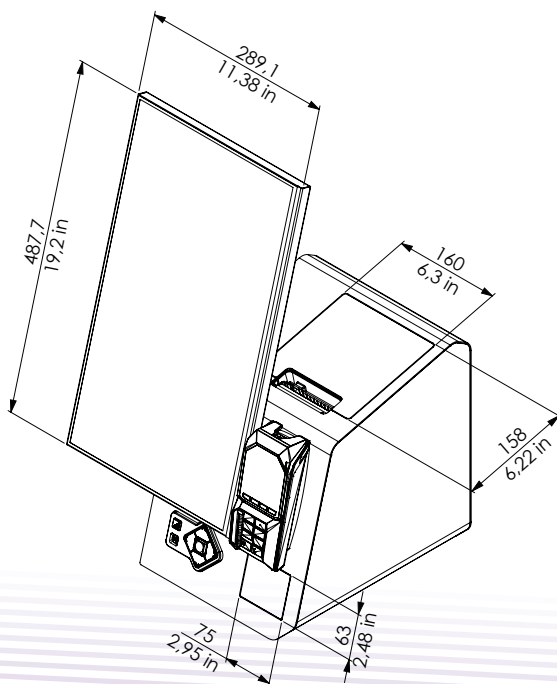
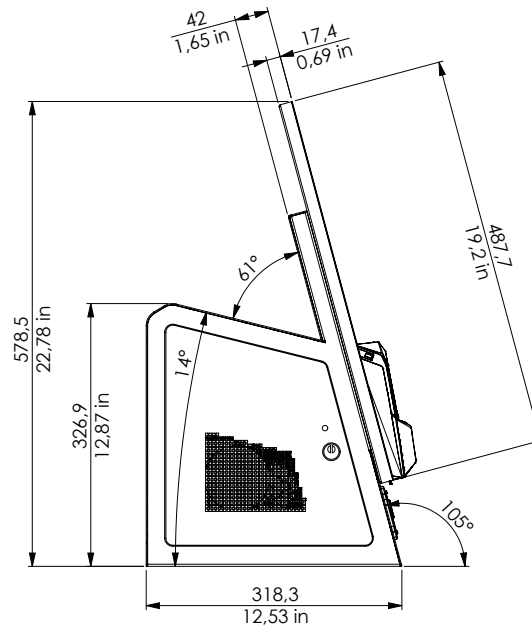
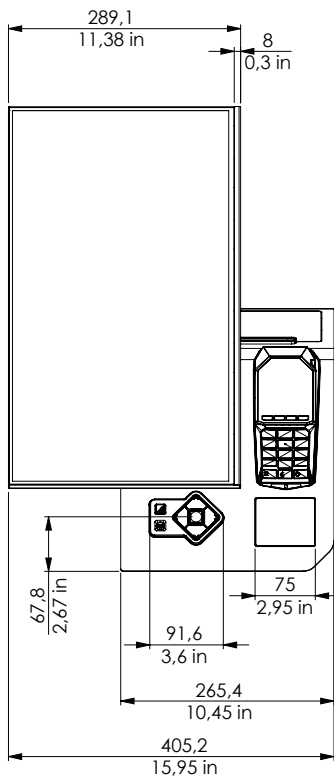


4010067882\_ds\_polytouch\_FLEX\_21.5\_EN · 17.02.21 · specification is subject to change

*Pictures show sample configurations, real product may vary.*

# 4010067882 polytouch® Flex 21.5"

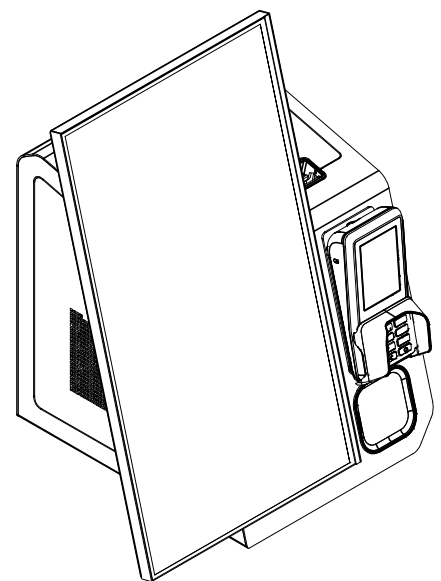
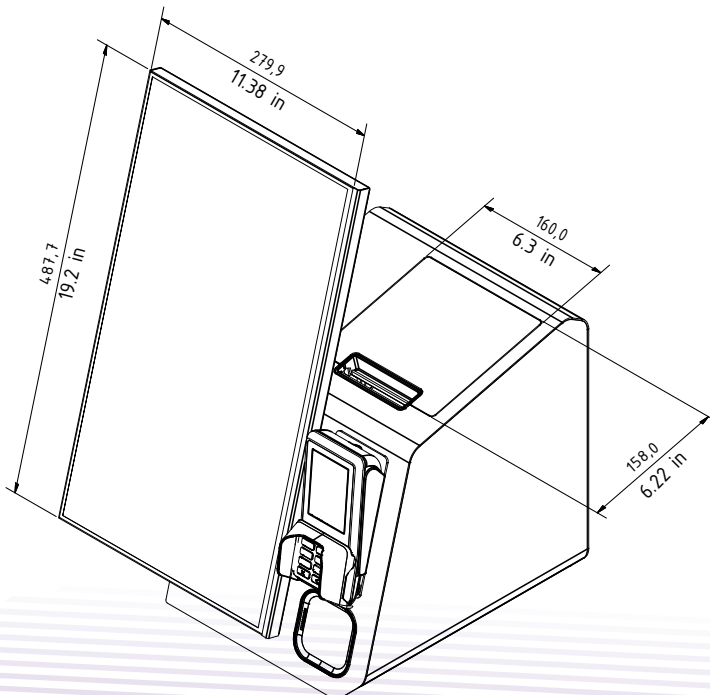
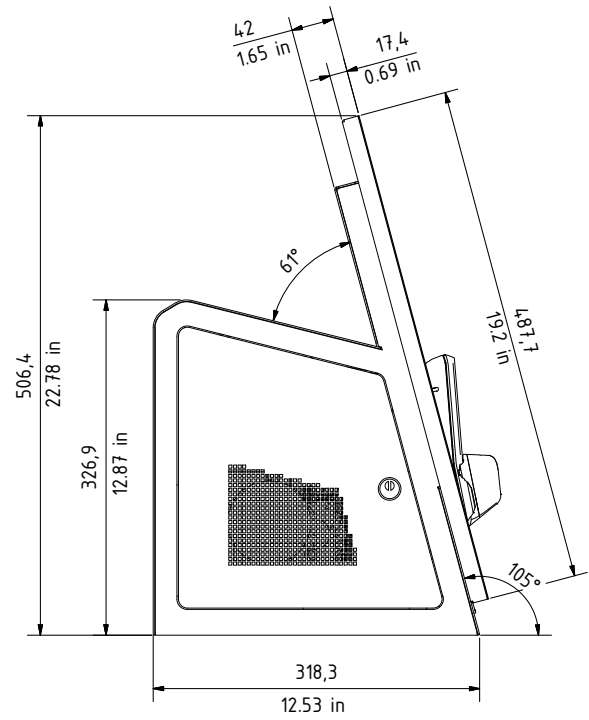
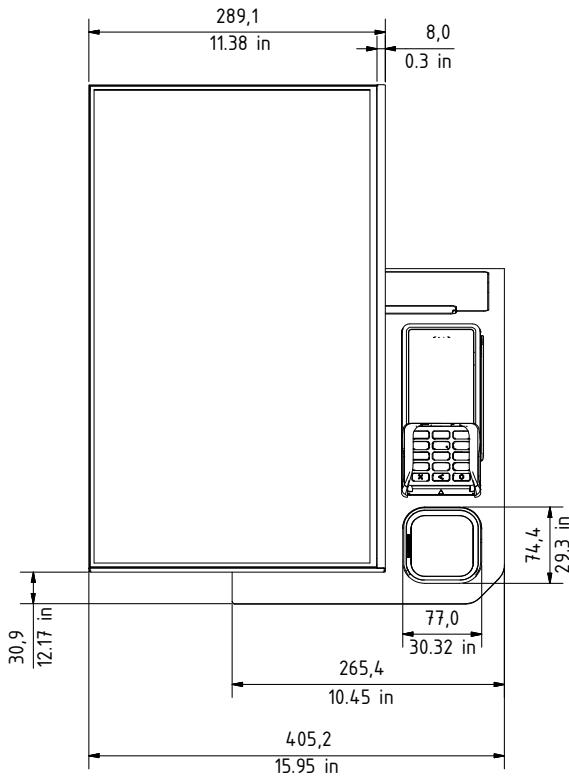
## Dimensions



*Pictures show sample configurations, real product may vary.*

# 4010067882 polytouch® Flex 21.5"

## Design variant „Lower position screen“



4010067882\_ds\_polytouch\_FLEX\_21.5\_EN · 17.02.21 · specification is subject to change

*Pictures show sample configurations, real product may vary.*